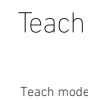
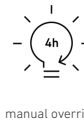
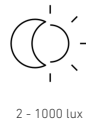
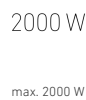


# IS 345

COM1 - surface, sq.  
 EAN 4007841 010485  
 Article number 010485



## Function description

Huge reach. Infrared motion detector IS 345 for indoors and out, ideal for passageways, corridors and commonly used spaces, installation height 5 m, detection zone 12 x 6 m (radial) and 23 x 6 m (tangential), large terminal compartment for easy installation, heavy-duty relay for high switching capacity. Available either in round or square surface-mounted, concealed or In-ceiling installation.

## Technical specifications

Dimensions (L x W x H)	65 x 95 x 95 mm	LED lamps > 8 W	600 W
Manufacturer's Warranty	5 years	Capacitive load in µF	176 µF
Settings via	Remote control, Potentiometers, Smart Remote	Technology, sensors	passive infrared, Light sensor
With remote control	No	Mounting height	2,50 – 5,00 m
Version	COM1 - surface, sq.	Mounting height max.	5,00 m
PU1, EAN	4007841010485	Optimum mounting height	2,8 m
Type	Motion detectors	Detection angle	Aisle, 360 °
Application, place	Outdoors, Indoors	Angle of aperture	45 °
Application, room	corridor / aisle, multi-storey / underground car park, outdoors, Indoors	Sneak-by guard	Yes
Colour	white	Capability of masking out individual segments	Yes
Colour, RAL	9003	Electronic scalability	No
Includes corner wall mount	No	Mechanical scalability	No
Installation site	ceiling	Reach, radial	12 x 6 m (72 m <sup>2</sup> )
Installation	Surface wiring, Ceiling	Reach, tangential	23 x 6 m (138 m <sup>2</sup> )
IP-rating	IP54	Switching zones	280 switching zones
		Functions	Normal / test mode, Manual ON / ON-OFF

# IS 345

COM1 - surface, sq.  
 EAN 4007841 010485  
 Article number 010485



## Technical specifications

Ambient temperature	from -20 up to 50 °C
Material	Plastic
Mains power supply	220 – 240 V / 50 – 60 Hz
Switching output 1, resistive	2000 W
Switching output 1, number of LEDs / fluorescent lamps	8 pcs.
Fluorescent lamps, electronic ballast	1500 W
Fluorescent lamps, uncorrected	1000 VA
Fluorescent lamps, series-corrected	400 VA
Fluorescent lamps, parallel-corrected	400 VA
Switching output 1, low-voltage halogen lamps	2000 VA
LED lamps < 2 W	100 W
LED lamps > 2 W < 8 W	300 W

Twilight setting	2 – 1000 lx
Time setting	5 s – 15 Min.
Basic light level function	No
Main light adjustable	No
Twilight setting TEACH	Yes
Constant-lighting control	No
Interconnection	Yes
Type of interconnection	Master/master
Interconnection via	Cable
Interconnection, number	max. 10 sensors
Product category	Motion detector

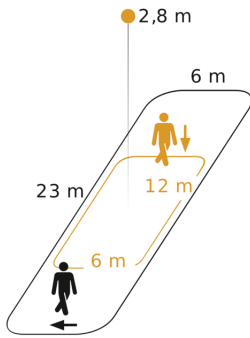
## Accessories

EAN 4007841 009151	Remote control Smart Remote
EAN 4007841 559410	Service remote control RC8
EAN 4007841 056711	Black cover for IR-sensors

# IS 345

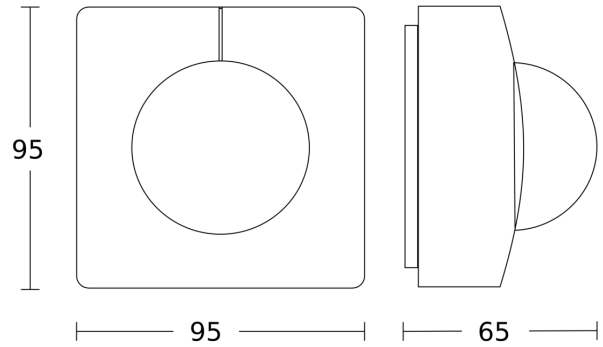
COM1 - surface, sq.  
EAN 4007841 010485  
Article number 010485

## Detection Zone

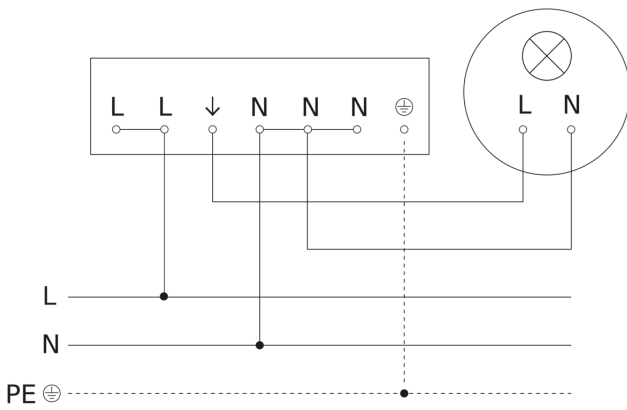


Possible mounting height: 2,50 m - 5,00 m  
Orange: radial  
Black: tangential

## Dimension Drawing



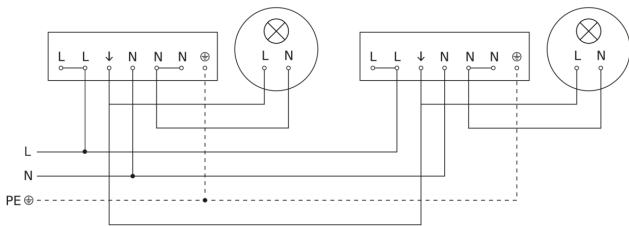
## Master circuit diagram



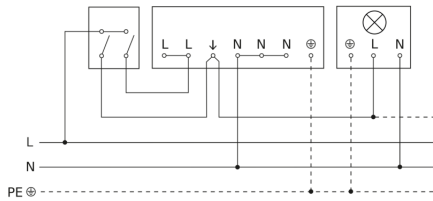
# IS 345

COM1 - surface, sq.  
EAN 4007841 010485  
Article number 010485

## Circuit diagram for interconnecting several sensors



## Connection using two-circuit switch for manual and automatic operation



## Circuit diagram Connection via a changeover switch for continuous and automatic operation

